

MATERIALS OF CONSTRUCTION

HEAT EXCHANGER:
SAND CAST ALUMINUM ALLOY
EN AC-AISI10g(a), F Temper

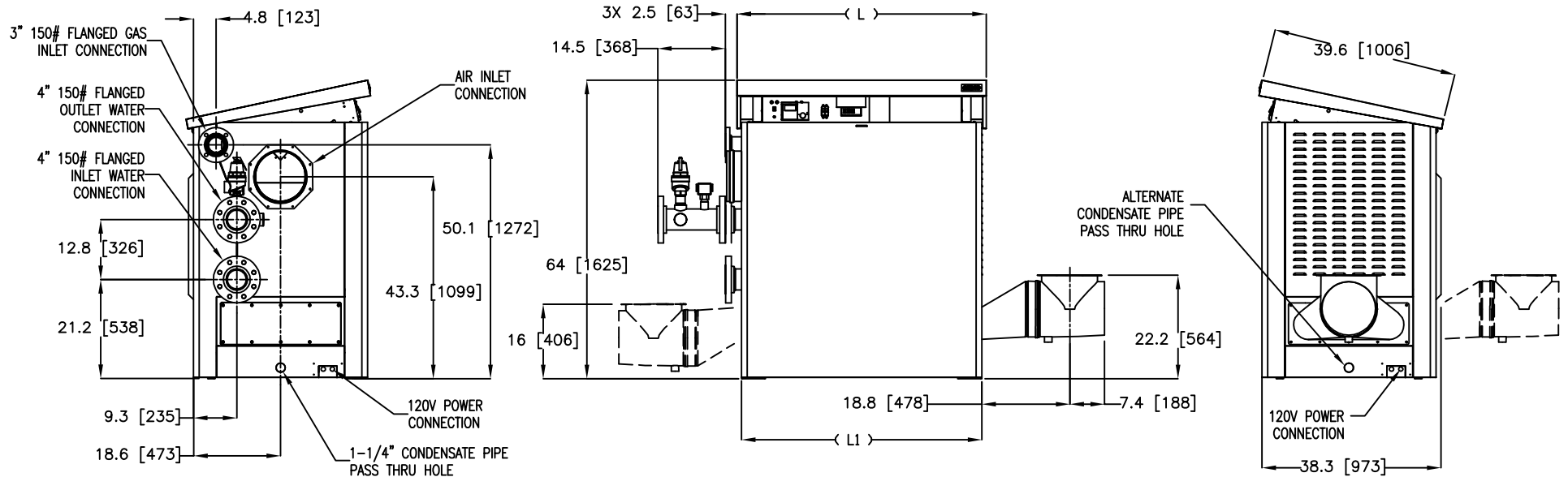
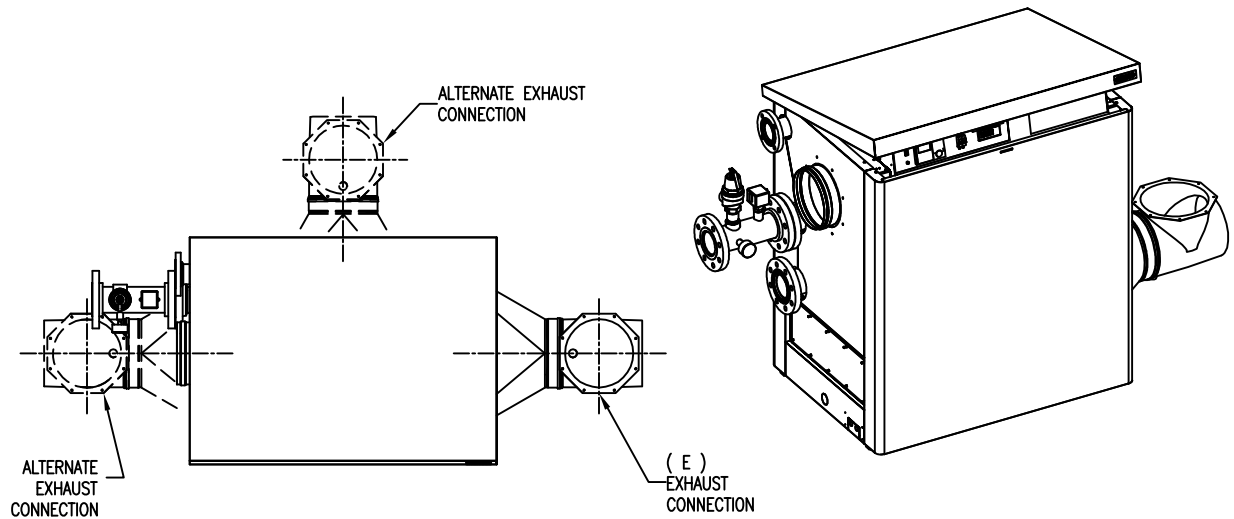
HEAT EXCHANGER DESIGN STANDARDS

MAX. WORKING PRESS. (PSIG): 92
MAXIMUM TEMP. (°F): 200
TEST PRESS. (PSIG): 138

ASME B & PV CODE SECTION IV STAMP H

DIMENSIONS

UNIT	(L)	(L1)	(E)
MLX EXT 1500/1530	42.8"	40.9"	10" INCH
MLX EXT 1912	53.4"	51.5"	10" INCH
MLX EXT 2295/2300	53.4"	51.5"	12" INCH
MLX EXT 2600/2677	63.9"	62.0"	12" INCH
MLX EXT 3000/3060	63.9"	62.0"	12" INCH



- NOTES:
- 1) ALL DIMENSIONS SHOWN ARE IN INCHES (MILLIMETERS).
 - 2) RELIEF VALVE AND 4" PIPE MANIFOLD ARE SHIPPED IN BOILER PACKAGING.
 - 3) ALTERNATE LOCATIONS FOR COMPONENTS/CONNECTIONS ARE SHOWN IN DOTTED LINES.
 - 4) FLOW SWITCH, PRESS./TEMP GAUGE AND CONDENSATE TRAP ARE INCLUDED SEPARATELY IN SHIPMENT.
 - 5) WHEN USING THE AERCO CONDENSATE NEUTRALIZER TANK, FOR PROPER CONDENSATE DRAINAGE, THE NEUTRALIZER TANK MUST BE INSTALLED IN A PIT OR THE BOILER AND THE AERCO CONDENSATE TRAP MUST BE ELEVATED HIGHER THAN 4" ABOVE THE FLOOR. SEE CONDENSATE TANK INSTRUCTIONS TID-0074 FOR DETAILS.
 - 6) FOR LEFT-HAND VENT CONNECTION, WATER OUTLET PIPE MUST HAVE A 90° ELBOW BETWEEN THE BOILER AND 4" PIPE MANIFOLD.



100 ORITANI DRIVE BLAUVELT, NY 10913
aerco.com

MLX EXT 1500-3000/1530-3060 MBH
GAS FIRED BOILERS
DIMENSIONAL DRAWING

DWN.BY PR DATE 082013
SCALE _____ SIZE A
CHKD. _____ APPD. _____
REV.DATE K.S. 020717

AP-A-935

REV. D