

**MATERIALS OF CONSTRUCTION**

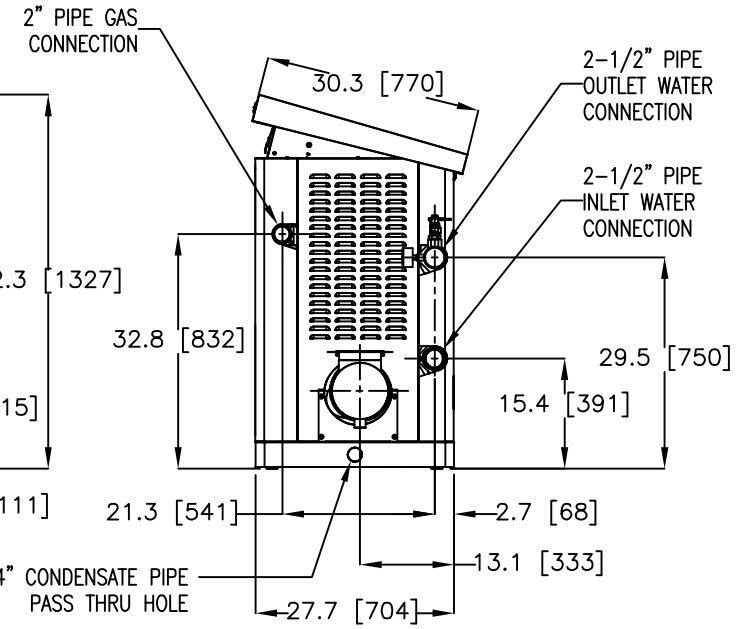
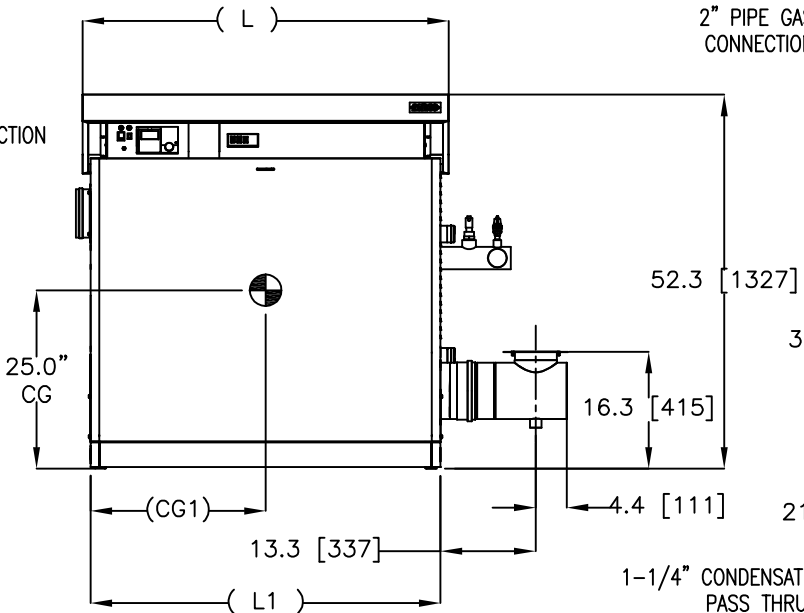
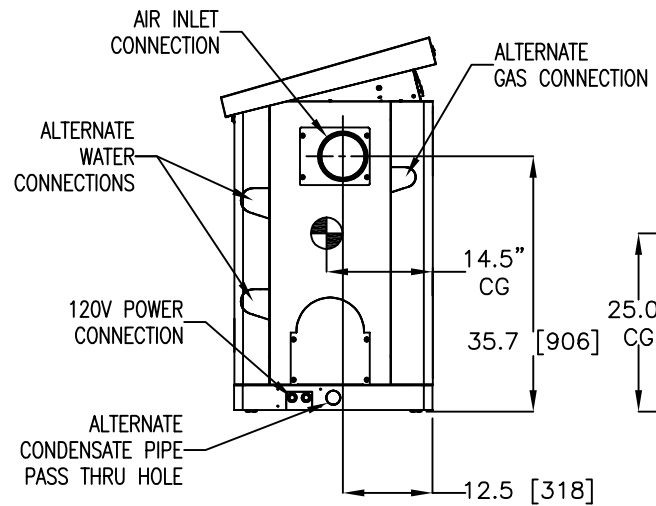
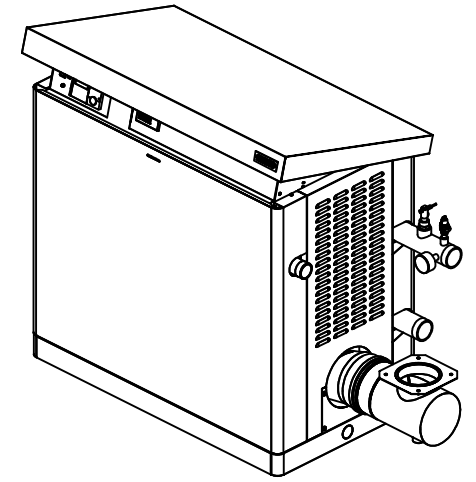
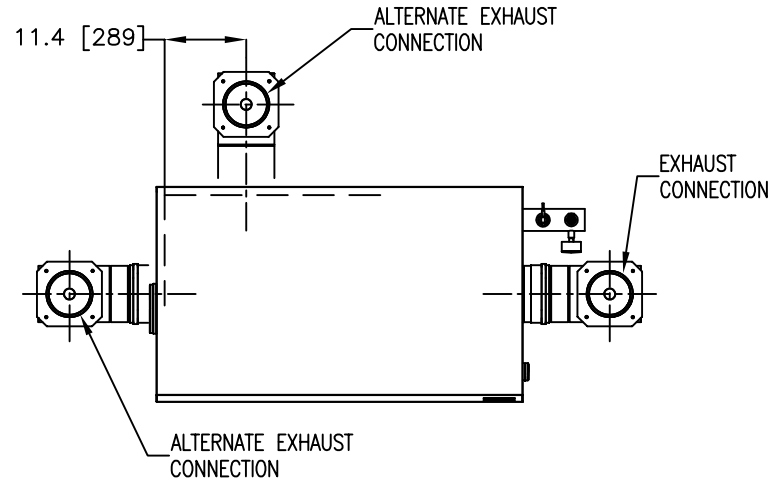
HEAT EXCHANGER:  
SAND CAST ALUMINUM ALLOY  
EN AC-AISi10g(a), F Temper

**HEAT EXCHANGER DESIGN STANDARDS**

MAX. WORKING PRESS. (PSIG): 92  
MAXIMUM TEMP. (°F): 200  
TEST PRESS. (PSIG): 138

ASME B & PV CODE SECTION IV STAMP H

DIMENSIONS			
UNIT	( L )	( L1 )	(CG1)
MLX EXT 321	30.0"	27.8"	13.0"
MLX EXT 450/481	30.0"	27.8"	14.0"
MLX EXT 600/641	40.6"	38.3"	18.0"
MLX EXT 800/802	40.6"	38.3"	19.0"
MLX EXT 962	51.2"	48.9"	23.0"
MLX EXT 1100/1123	51.2"	48.9"	25.0"



- NOTES:
- 1) ALL DIMENSIONS SHOWN ARE IN INCHES (MILLIMETERS).
  - 2) RELIEF VALVE, TRIDICATOR & CONDENSATE TRAP ARE INCLUDED SEPARATELY IN SHIPMENT.
  - 3) ALTERNATE LOCATIONS FOR COMPONENTS/CONNECTIONS ARE SHOWN IN DOTTED LINES.
  - 4) WHEN USING ALTERNATE WATER CONNECTIONS, THE LEFT HAND AIR INTAKE CONNECTION CANNOT BE USED.
  - 5) EXHAUST CONNECTION, AIR INTAKE CONNECTION, AND CONDENSATE TRAP ARE INCLUDED SEPARATELY IN SHIPMENT.
  - 6) RELIEF VALVE, LOW WATER CUT-OFF, PRESS./TEMP GAUGE, AQUASTAT, AND THE 2-1/2" PIPE MANIFOLD FOR THESE COMPONENTS ARE INCLUDED SEPARATELY IN SHIPMENT.
  - 7) WHEN USING THE AERCO CONDENSATE NEUTRALIZER TANK, FOR PROPER CONDENSATE DRAINAGE, THE NEUTRALIZER TANK MUST BE INSTALLED IN A PIT OR THE BOILER AND THE AERCO CONDENSATE TRAP MUST BE ELEVATED HIGHER THAN 4" ABOVE THE FLOOR. SEE CONDENSATE TANK INSTRUCTIONS TID-0074 FOR DETAILS.

 A WATTS Brand	100 ORITANI DRIVE BLAUVELT, NY 10913 aercocom	
	MLX EXT 321-1123/450-1100 MBH GAS FIRED BOILERS DIMENSIONAL DRAWINGS	
DWN.BY_PR_DATE 060413 SCALE _____ SIZE A CHKD. _____ APPD. _____ REV.DATE K.S. 020717	AP-A-927	REV. C