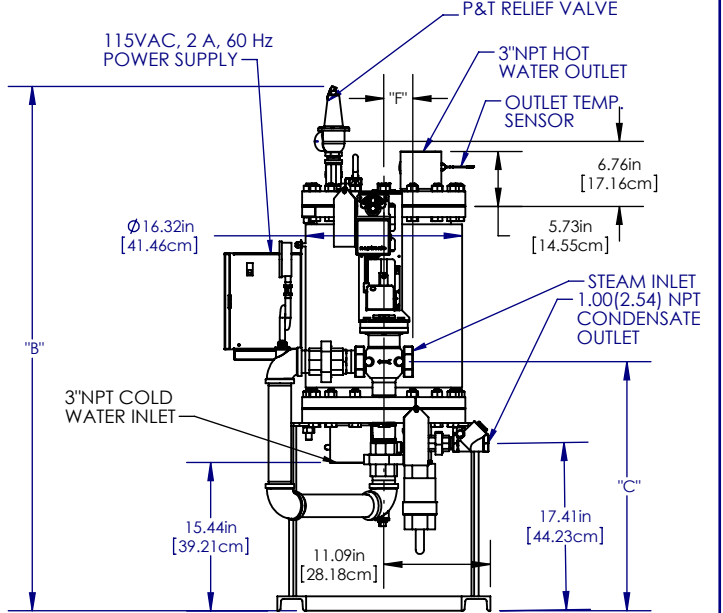
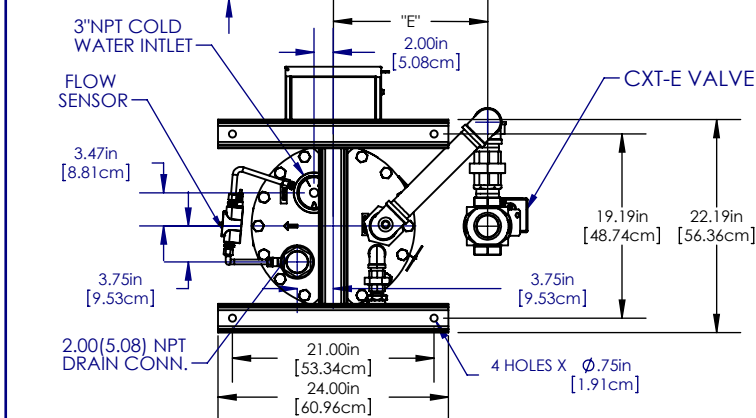
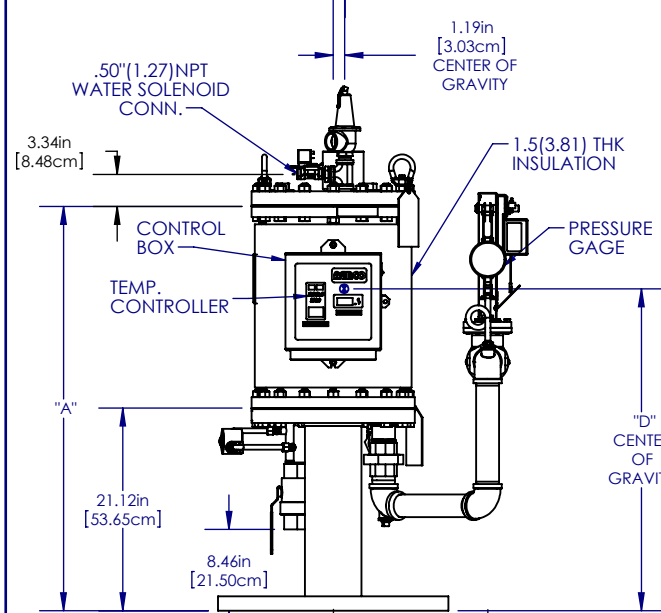
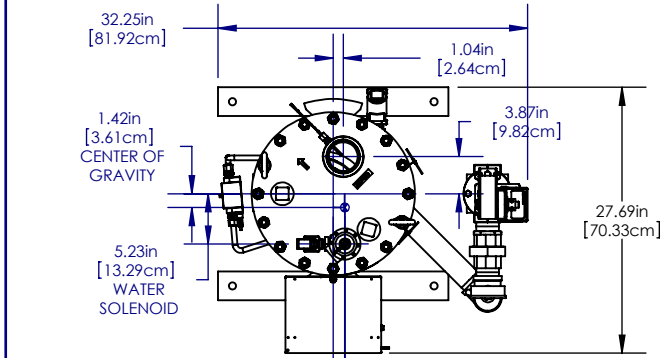


MATERIALS OF CONSTRUCTION	
SHELL	3/16"(0.48) SA53 GRD (B) (ERW) CARB STEEL
LINER	COPPER, ASTM B-370 ALLOY 122
HEADS	1.5"THICK PLT., SA-240, 304L STAINLESS STEEL
COILS	COPPER, 0.049"(0.12) WALL, ALLOY C12200 SB-111, LIGHT DRAWN
COILS	COPPER, 0.065"(0.16) WALL, ALLOY C12200 ASME SB-111
COILS	CuNi, 0.065"(0.16) WALL, ASME SB-11 ALLOY# 706
RISER	RED BRASS, SB-43

HEATER MODEL	NO. OF COILS	HEATING SURF. SQ.FT. (SQ.M.)	DIM. "A" IN(CM)	DIM. "B" IN(CM)	DIM. "D" IN(CM)	DRY WT. LBS(KG)	WET WT. LBS(KG)
B+03	3	15(1.39)	42.12 (107.0)	54.63 (138.8)	28.10 (71.4)	527(237)	667(300)
B+04	4	20(1.85)	51.12 (129.8)	63.63 (161.6)	32.60 (82.8)	610(275)	767(345)
B+05	5	25(2.32)	51.12 (129.8)	63.63 (161.6)	32.60 (82.8)	625(281)	777(350)
B+06	6	30(2.78)	60.12 (152.7)	72.63 (184.5)	36.38 (92.4)	670(302)	877(395)
B+07	7	35(3.25)	60.12 (152.7)	72.63 (184.5)	36.38 (92.4)	685(308)	887(399)
B+08	8	40(3.71)	69.12 (178.6)	81.63 (207.3)	40.88 (103.8)	740(333)	977(440)
B+09	9	45(4.18)	69.12 (178.6)	81.63 (207.3)	40.88 (103.8)	755(340)	987(444)
B+10	10	50(4.63)	78.12 (198.4)	90.63 (230.2)	45.38 (107.6)	800(360)	1077(485)
B+11	11	55(5.11)	78.12 (198.4)	90.63 (230.2)	45.38 (107.6)	815(367)	1087(489)
B+12	12	60(5.56)	87.12 (221.3)	99.63 (253.1)	49.88 (126.7)	870(392)	1177(530)
B+13	13	65(6.04)	87.12 (221.3)	99.63 (253.1)	49.88 (126.7)	885(398)	1187(534)
B+14	14	70(6.49)	96.12 (244.1)	108.63 (275.9)	54.36 (138.1)	930(419)	1277(575)
B+15	15	75(6.97)	96.12 (244.1)	108.63 (275.9)	54.36 (138.1)	945(425)	1287(579)



NOTE: CENTER OF GRAVITY IS WITHOUT VALVE LINE.

HEAT EXCHANGER DESIGN STANDARDS			
	MAX. WORKING PRESSURE, PSIG (kPa)	MAX. TEMP. °F (°C)	TEST PRESS., PSIG (kPa)
SHELL SIDE	235 (1619)	400 (204)	355 (2446)
TUBE SIDE	250 (1723)	400 (204)	375 (2584)

ASME B&PV CODE SEC. VIII, DIV. 1 STAMP U

RELIEF VALVES SET AT °F, PSI

WaterWizard MODEL B+II □□/□□□□/ EC

CONTROL VALVE SIZE IN(CM)	"C" DIM. IN(CM)	"E" DIM. IN(CM)	"F" DIM. IN(CM)
1"(2.54) SCREWED END	25.9(65.8)	16.1 (40.9)	2.5 (6.35)
1-1/4(3.18) SCREWED END	25.9(65.8)	16.1 (40.9)	2.5 (6.35)
1-1/2"(3.81) SCREWED END	25.9(65.8)	16.1 (40.9)	2.5 (6.35)
2"(5.08) SCREWED END	25.9(65.8)	16.1 (40.9)	3.2 (8.1)
2-1/2"(6.35) 150# ANSI FLANGED END	28.5 (72.4)	15.1 (38.4)	8.9 (22.6)
3"(7.62) 150# ANSI FLANGED END	30.3 (77.0)	15.9 (40.4)	9.2 (23.4)
4"(10.18) 150# ANSI FLANGED END	31.3 (79.5)	16.2 (41.1)	10.7 (27.2)

OPERATING CONDITIONS	
WATER	CAPACITY, GPM(L/S)
	IN/OUT TEMP. °F(°C)
STEAM	FLOW LB/HR (Kg/S)
	PRESSURE TO VALVE, PSIG(kPa)

AERCO INTERNATIONAL INC.
Blauvelt, NY 10913

WATERWIZARD B+II WATER HEATER PACKAGED WITH CXT-E VALVE DIMENSIONAL DRAWING

DWN. BY BK	DATE 02/14/12	DWG. NO.:	REV
SCALE NTS	SITE	AP-A-909	C
CHD BY	APPD		