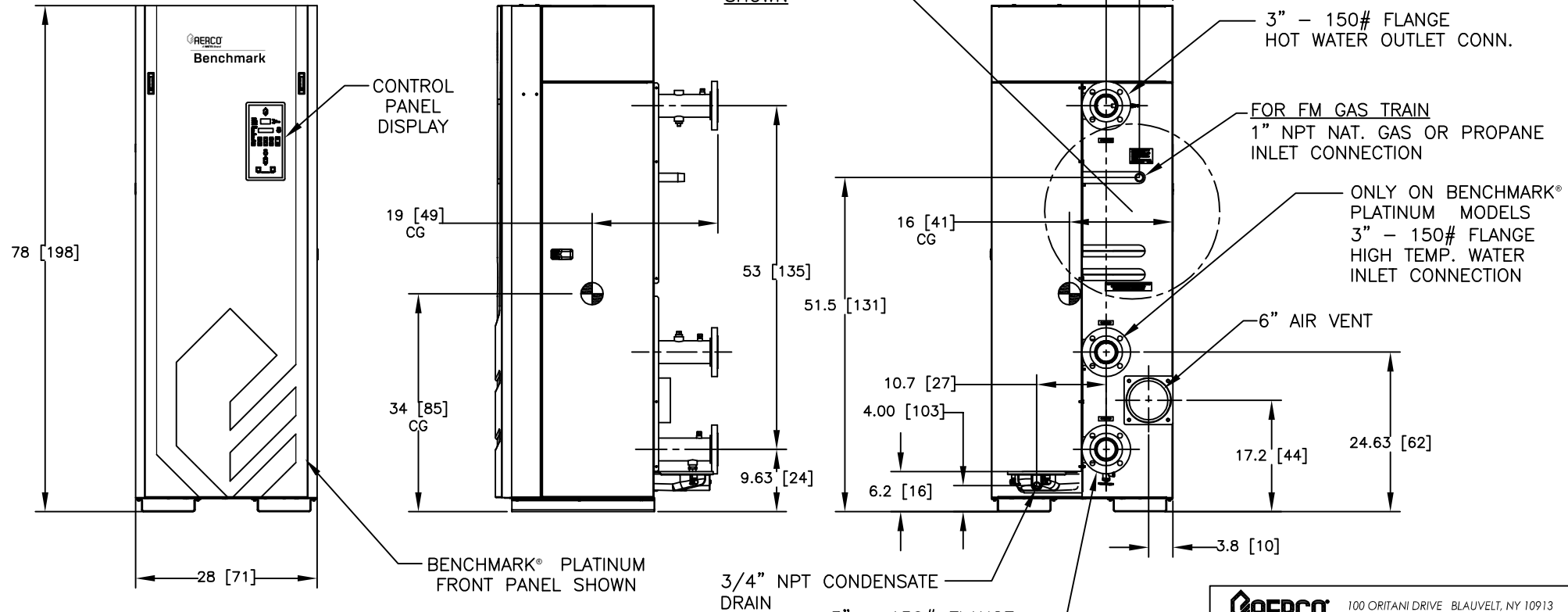


MATERIALS OF CONSTRUCTION				
COMBUSTION CHAMBER	SHELL OUTER-1/4" CARBON STEEL,SA-53 GR.B SHELL INNER-1/4"STAINLESS STEEL,SA-240, 439SS HEAD-1/2" CARBON STEEL,SA-516 GR.70 EXPANSION JOINT-1/4" STAINLESS STEEL,SA-240,439SS			
HEAT EXCHANGER	UPPER TUBESHEET- 1/4" STAINLESS STEEL,SA-240,439SS LOWER TUBESHEET- 1/4" STAINLESS STEEL,SA-240,439SS TUBES-STAINLESS STEEL,9/16"O.D. X .035 WALL SA-249,439SS SHELL-1/4" CARBON STEEL,SA-53,GR.A OR B			
HEAT EXCHANGERS & COMBUSTION CHAMBER DESIGN STANDARDS				
MAX. WORKING PRESS. (PSIG)	MAXIMUM TEMP. (°F)	TEST PRESS. (PSIG)	HT'G SURFACE SQ.FT.	MIN. RELIEF VA. CAPACITY MBH
160	210	240	60	750
160	210	240	84	1000
ASME B & PV CODE: SECTION IV STAMP H				



- NOTES:
- 1) ALL DIMENSIONS SHOWN ARE IN INCHES (CENTIMETERS).
 - 2) RELIEF VALVE, TRIDICATOR & CONDENSATE TRAP ARE INCLUDED SEPARATELY IN SHIPMENT.
 - 3) AERCO RESERVES THE RIGHT TO MODIFY BOILER DIMENSIONS WITHOUT PRIOR NOTICE
 - 4) BENCHMARK® PLATINUM SHOWN. SAME DIMENSIONS APPLY TO STANDARD BENCHMARK MODELS.

AERCO
A WATTS Brand

100 ORITANI DRIVE BLAUVELT, NY 10913
aerco.com

BENCHMARK 750 & 1000 MBH
NATURAL GAS, PROPANE, DUAL FUEL &
DF-DB&B BOILER DUAL INLET
DIMENSIONAL DRAWING

DWN. BY_PDR DATE 051011	REV
SCALE	AP-A-891
APPD. _____ DATE _____	J