

HEAT EXCHANGER DESIGN STANDARDS			
	MAX. WORKING PRESS. (PSIG)	MAXIMUM TEMP. (°F)	TEST PRESS. (PSIG)
SHELL SIDE	160	210	240
ASME B & PV CODE SECTION IV STAMP HLW			

MATERIALS OF CONSTRUCTION	
PRESSURE VESSEL	SHELL: [USA]3/16" THK, STAINLESS 439, SA-240 [CANADA] 3/16" THK STAINLESS 304L, SA-312 [ELECTROLESS NICKEL PLATED]
COMBUSTION CHAMBER	316L STAINLESS HELICAL TUBES, SA-249 DOMED HEAD: 316 STAINLESS, SA-240 TUBESHEET: STAINLESS 316, SA-240 1/4" WALL WELDED TUBE SA-312 TP316 [ALL ELECTROLESS NICKEL PLATED]

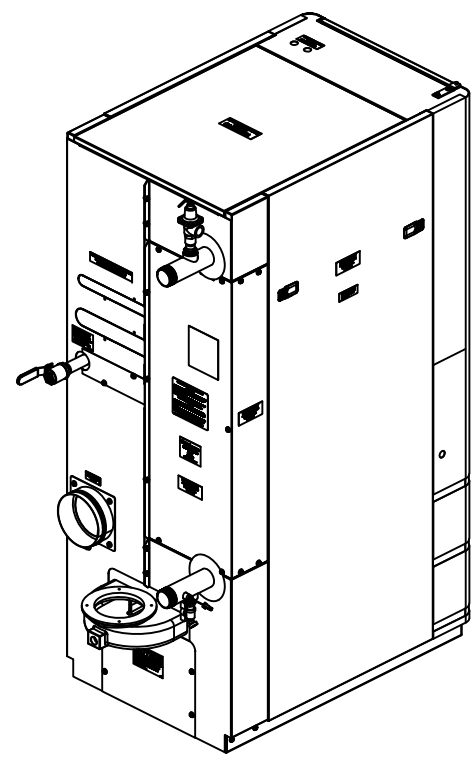
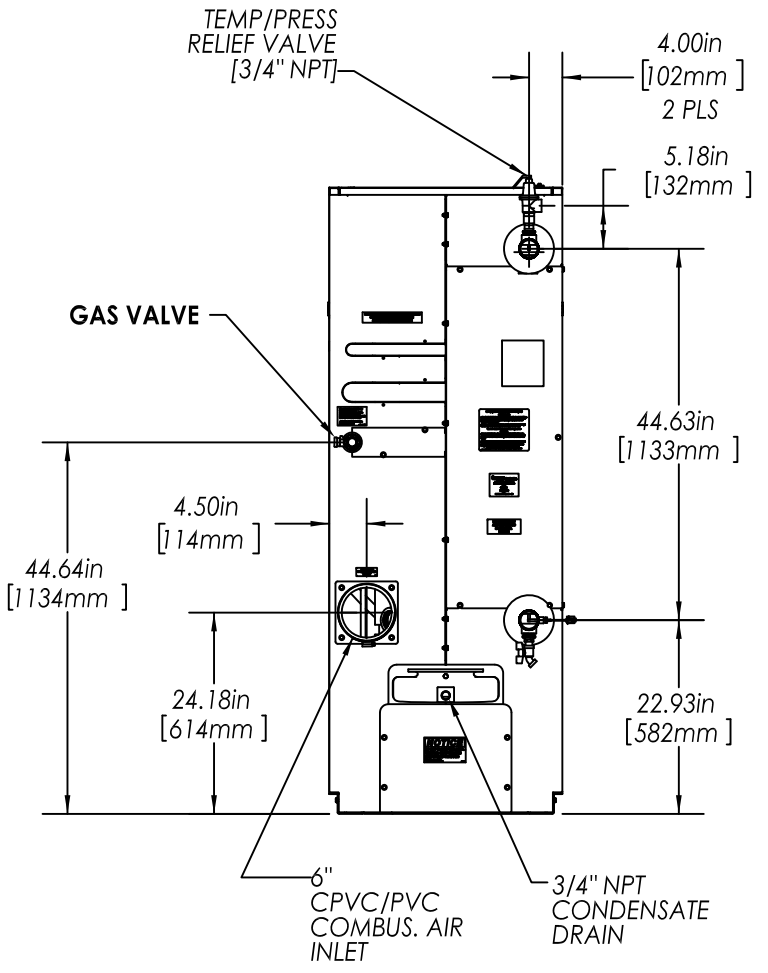
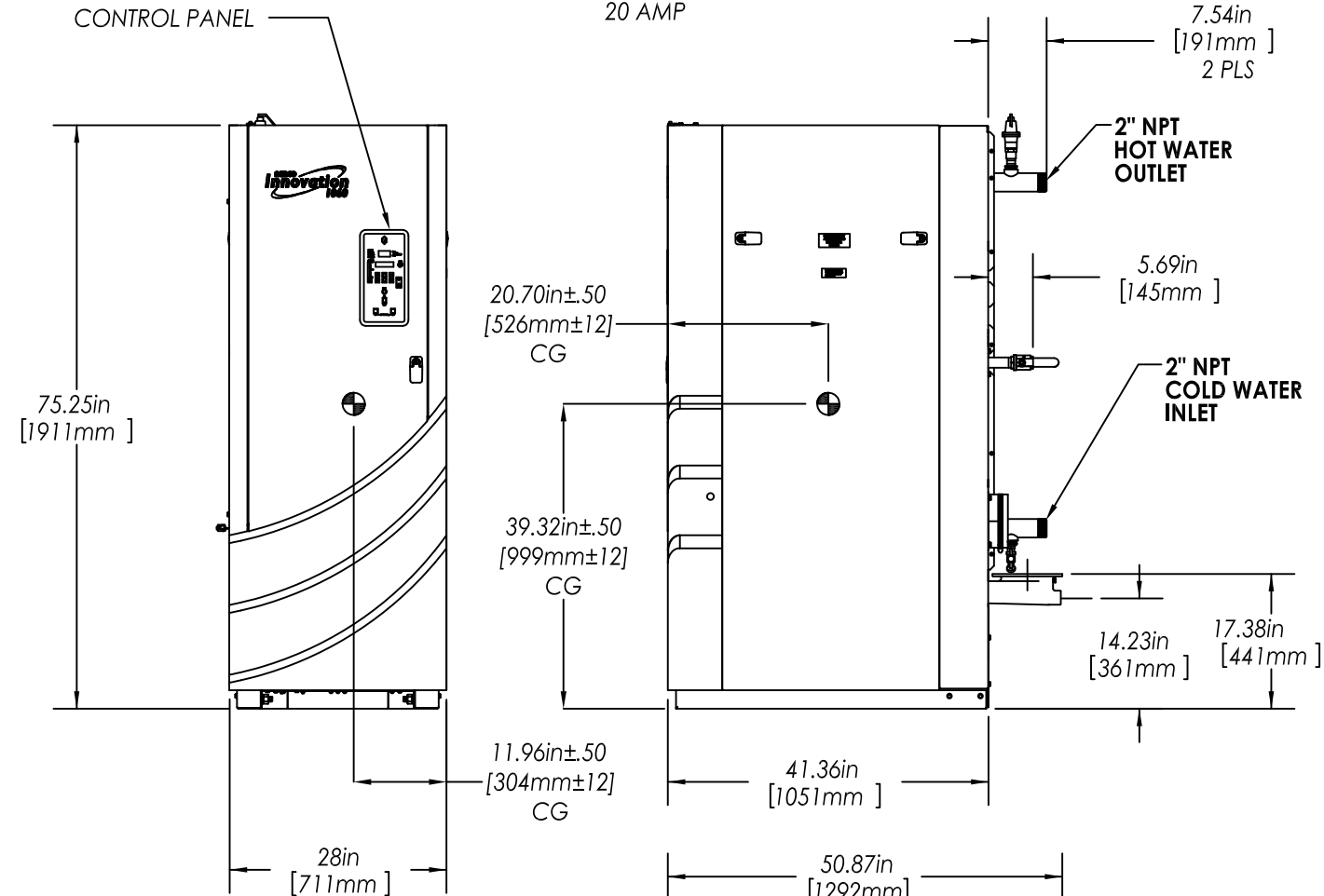


TABLE 'A'		
MODEL	NAT GAS INLET CONNECTION	PROPANE INLET CONNECTION
INN600	1" NPT	1/2" NPT
INN800		1/2" NPT
INN1060		3/4" NPT
INN1350		3/4" NPT

ALL DIMENSIONS ARE IN INCHES [mm]

AERCO A WATTS Brand
 100 ORITANI DRIVE BLAUVELT, NY 10913
 aerco.com

**AERCO Innovation 600/800/1060/1350
 GAS FIRED WATER HEATER
 DIMENSIONAL OUTLINE**

DWN.BY <u>CEW</u>	DATE <u>9-14-10</u>	DWG. NO:	REV.
SCALE _____	SIZE <u>B</u>	AP-A-888	M
CHKD. _____	APPD. _____		
REV.DATE _____	K.S. 061418		