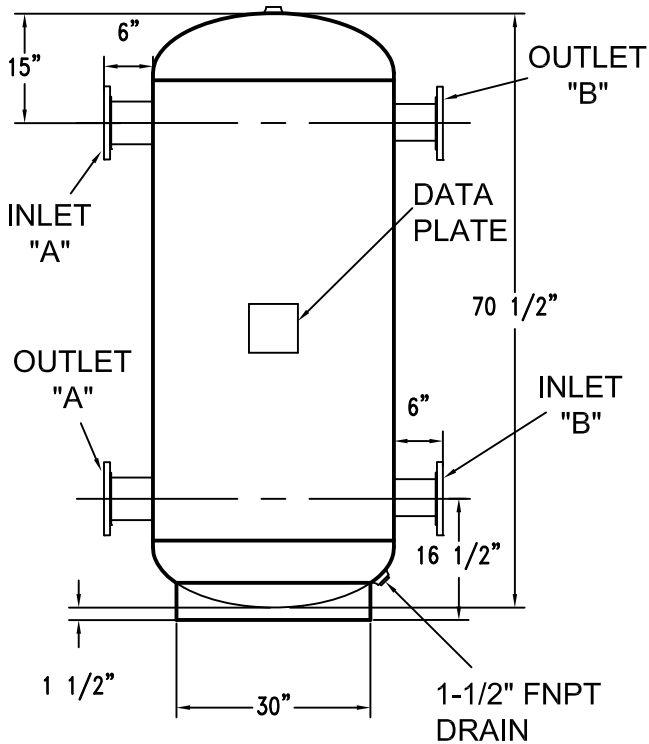


1-1/2" FNPT
AIR VENT



CONSTRUCTION:

MATERIAL - CARBON STEEL
 SHELL THICKNESS - 0.172" MIN.
 HEAD THICKNESS - 0.160" MIN.
 EXTERIOR PAINT - RED OXIDE PRIMER
 M.A.W.P. - 125 PSIG @ 450°F
 WEIGHT EMPTY - 715 LBS
 WEIGHT FLOODED - 3,214 LBS

CHECK ONE:

-
-
-
-
-
-
-
-
-
-

DIMENSION "A"	DIMENSION "B"
2" FNPT	2" FNPT
2" FNPT	3" FNPT
2" FNPT	4" 150-LB FLG
2" FNPT	6" 150-LB FLG
3" FNPT	3" FNPT
3" FNPT	4" 150-LB FLG
3" FNPT	6" 150-LB FLG
4" 150-LB FLG	4" 150-LB FLG
4" 150-LB FLG	6" 150-LB FLG

AERCO INTERNATIONAL, INC.
 NORTHVALE, NJ 07647

PRIMARY-SECONDARY BUFFER TANK
 36" DIA., 289 GALLON
 ASME VIII, 125 PSI

DWN. BY CZ DATE 081710
 SCALE NTS SIZE _____
 CHKD. _____ APPD. _____
 REV. DATE _____

AP-A-881

REV.
B