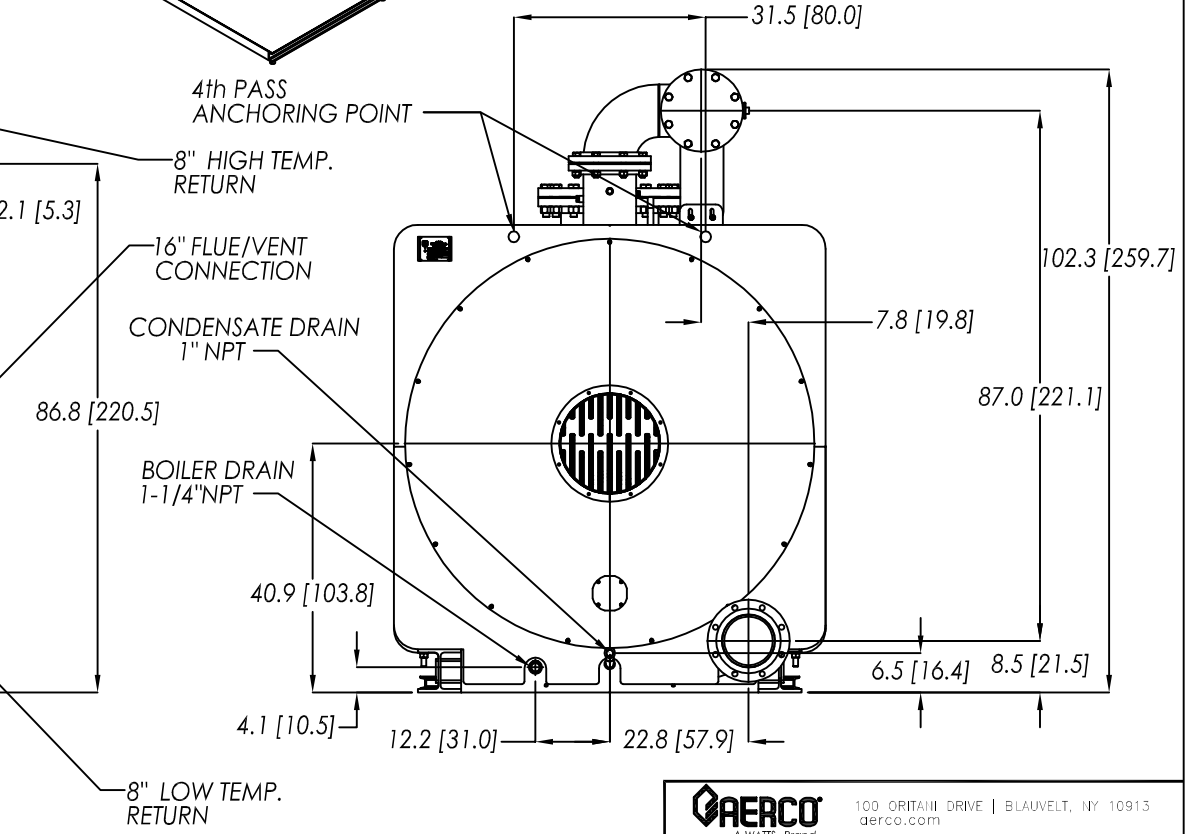
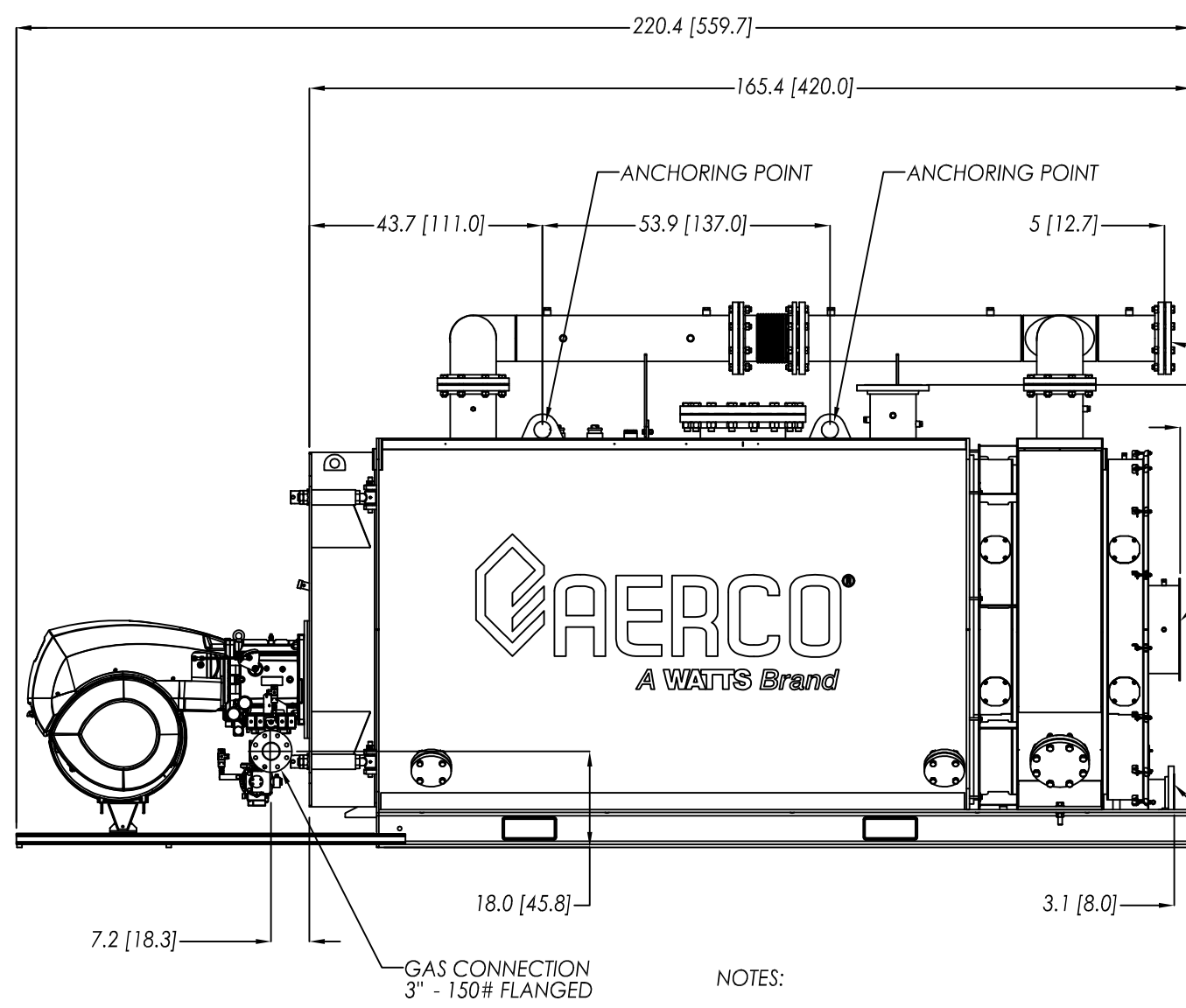
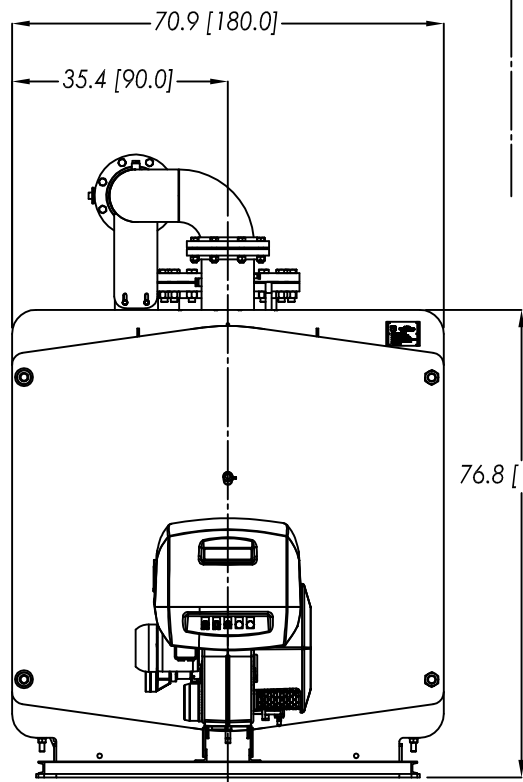


46.6 [118.4]  
TUBE PULL  
CLEARANCE



NOTES:

- 1) ALL DIMENSIONS SHOWN ARE IN INCHES [CENTIMETERS].
- 2) RELIEF VALVE, TRIDICATOR & CONDENSATE TRAP ARE INCLUDED SEPARATELY IN SHIPMENT.
- 3) AERCO RESERVES THE RIGHT TO MODIFY BOILER DIMENSIONS WITHOUT PRIOR NOTICE.
- 4) FOR ADDITIONAL INFORMATION, PLEASE CONTACT AERCO APPLICATIONS ENGINEERING.

**AERCO**  
A WATTS Brand

100 ORITAIL DRIVE | BLAUVELT, NY 10913  
aerco.com

MFC 8000 ASSEMBLY  
DIMENSIONAL DRAWING

DWN.BY K.S. DATE 061616  
SCALE NTS  
REV.DATE K.S. - 092517

AP-A-1043

REV.  
B