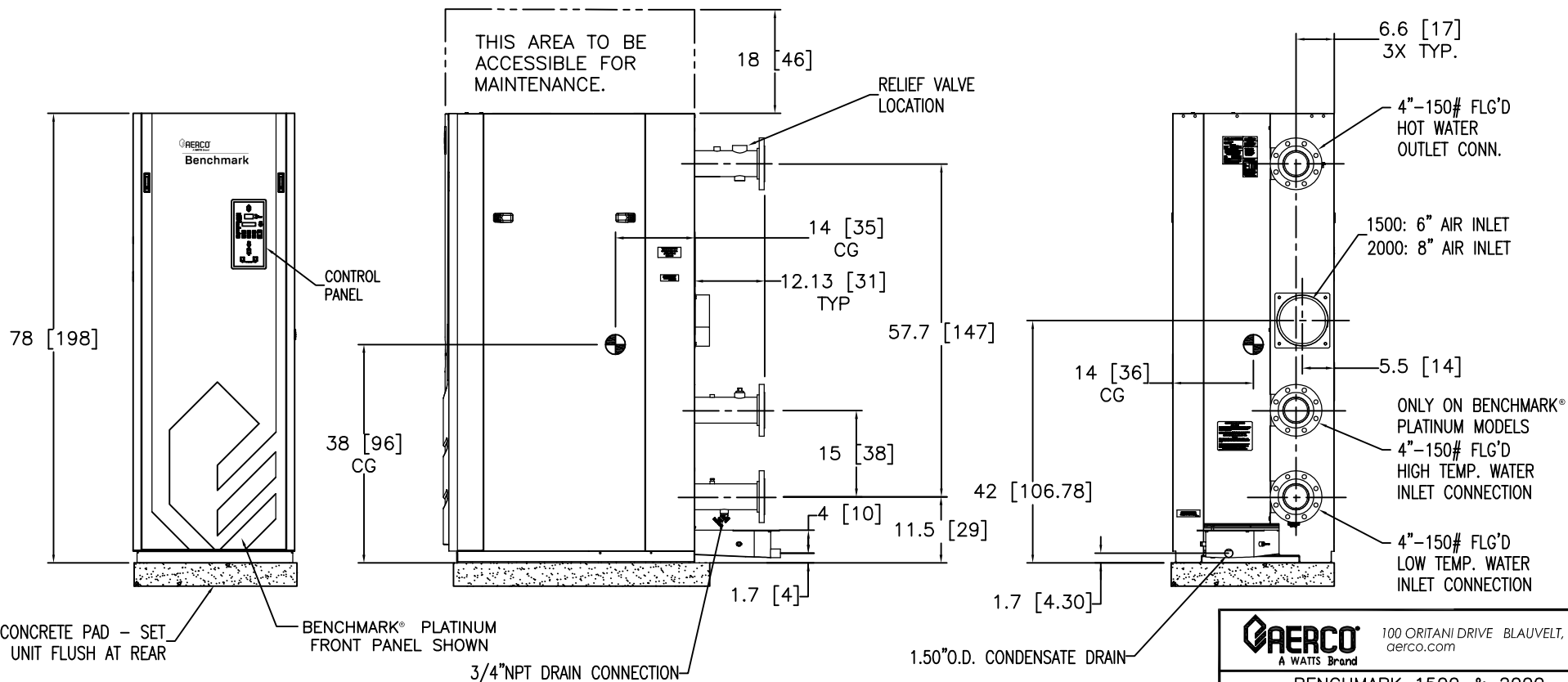


| HEAT EXCHANGERS & COMBUSTION CHAMBER DESIGN STANDARDS |                    |                    |                     |                              |
|---|--------------------|--------------------|---------------------|------------------------------|
| MAX. WORKING PRESS. (PSIG)                            | MAXIMUM TEMP. (°F) | TEST PRESS. (PSIG) | HT'G SURFACE SQ.FT. | MIN. RELIEF VA. CAPACITY MBH |
| 160   | 210                | 240                | 107                 | 1500                         |
| 160   | 210                | 240                | 150                 | 2000                         |

ASME B & PV CODE: SECTION IV STAMP H



- NOTES:
- 1) ALL DIMENSIONS SHOWN ARE IN INCHES (CENTIMETERS).
  - 2) RELIEF VALVE, TRIDICATOR & CONDENSATE TRAP ARE INCLUDED SEPARATELY IN SHIPMENT.
  - 3) AERCO RESERVES THE RIGHT TO MODIFY BOILER DIMENSIONS WITHOUT PRIOR NOTICE
  - 4) BENCHMARK® PLATINUM SHOWN. SAME DIMENSIONS APPLY TO STANDARD BENCHMARK MODELS.

**AERCO**  
A WATTS Brand

100 ORITANI DRIVE BLAUVELT, NY 10913  
aerco.com

BENCHMARK 1500 & 2000  
NATURAL GAS, PROPANE, DUAL FUEL &  
DF-DB&B BOILER DUAL INLET  
DIMENSIONAL DRAWING

|  |                              |           |        |
|--|------------------------------|-----------|--------|
| DWN.BY. <u>K.S.</u> DATE <u>040516</u> | SCALE <u>SIZE A</u>          | AP-A-1036 | REV. C |
| CHKD. _____ APPD. _____                | REV. DATE <u>K.S. 061517</u> |           |        |