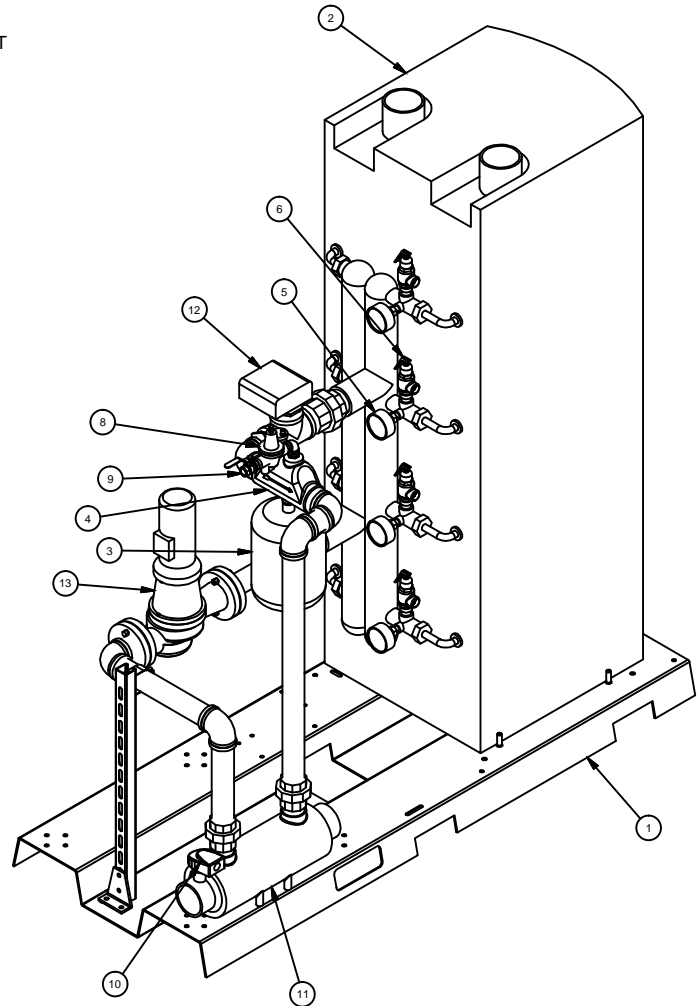
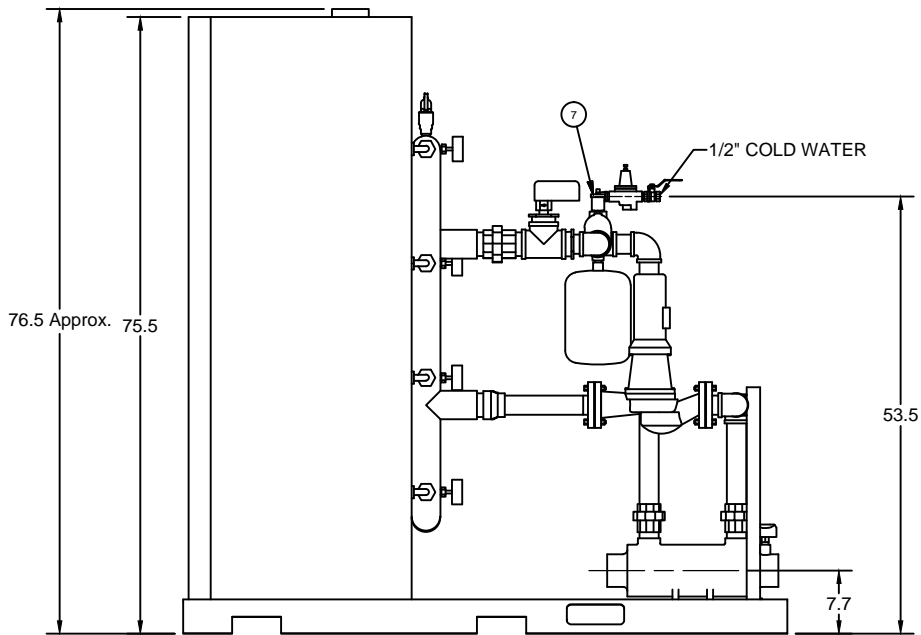
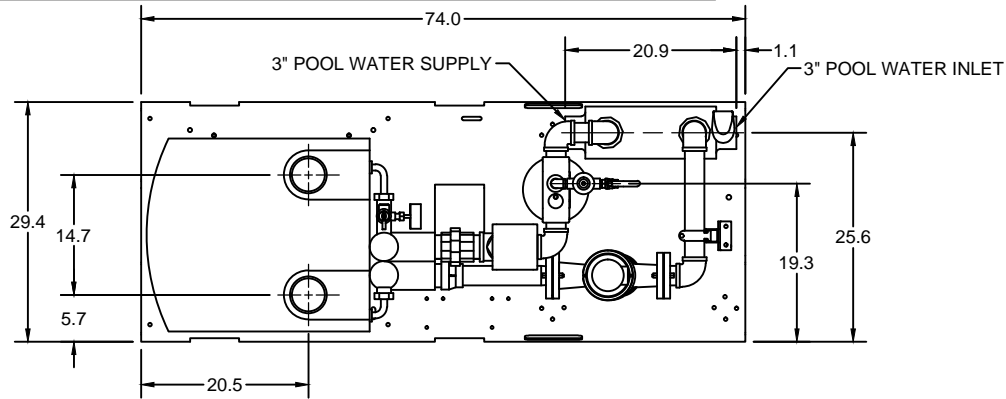


THESE DRAWINGS AND/OR SPECIFICATIONS ARE THE PROPERTY OF AERCO INTERNATIONAL, INC. THEY ARE ISSUED IN STRICT CONFIDENCE AND SHALL NOT BE REPRODUCED, COPIED, OR USED AS THE BASIS FOR MANUFACTURE OR SALE OF APPARATUS WITHOUT PERMISSION OF THE OWNER.



**EQUIPMENT LIST**

ITEM	QTY	DESCRIPTION
1	1	AMR BASE
2	1	AM1000 BOILER
3	1	EXPANSION TANK
4	1	AIR SCOOP
5	4	P-T GAUGE
6	4	RELIEF VALVE
7	1	AIR VENT
8	1	PRESSURE REDUCING FILL VALVE
9	1	1/2" BALL VALVE
10	1	TEMPERATURE SENSOR
11	1	HEAT EXCHANGER
12	1	LWCO SWITCH
13	1	PUMP

**NOTES:**

- 1) ALL DIMENSIONS SHOWN ARE IN INCHES.
- 2) AERCO RESERVES THE RIGHT TO MODIFY BOILER DIMENSIONS WITHOUT PRIOR NOTICE.
- 3) DRAIN VALVE AND CONDENSATE DRAIN HOSE SHOULD BE ARRANGED TO PERMIT THE FLUIDS TO DRAIN FREELY, BY GRAVITY, TO A CONVENIENT FLOOR DRAIN. RELIEF VALVE SHOULD BE PIPED VERTICALLY TO A HEIGHT 18" ABOVE FLOOR.
- 4) PIPING DIMENSIONS ARE APPROXIMATE. FINAL DIMENSIONS MAY VARY DUE TO MANUFACTURING TOLERANCES. DO NOT COMPLETE FIELD PIPING UNTIL SYSTEM IS PROPERLY INSTALLED. FABRICATION ACCEPTS NO LIABILITY DUE TO DIMENSION VARIATION.
- 5) FIELD PIPING MUST BE SUPPORTED INDEPENDENT OF SYSTEM CONNECTIONS.
- 6) REFER TO AM1000 BOILER DIMENSIONAL DRAWING FOR MORE DETAILS.
- 7) ALL PIPING AND ELECTRIC CONNECTIONS (SERVICE SWITCHES, CONDUIT BOXES) SHOULD BE 6" AWAY FROM SIDE PANELS.
- 8) GAS REGULATOR IS MANDATORY AND IS REQUIRED WHEN SUPPLY PRESSURE IS GREATER THAN 13" W.C.
- 9) LOCAL CODES AND AUTHORITIES SHOULD BE CONSULTED.

**AERCO** 100 ORITANI DRIVE BLAUVELT, NY 10913  
aerco.com

1000 MBH INPUT CAPACITY  
POOL HEATING SKID PACKAGE  
AM1000 BOILER

DWN. BY S.S. DATE 021915  
SCALE NTS  
APPD. P.R. DATE 021915

SD-A-1055

REV.  
B